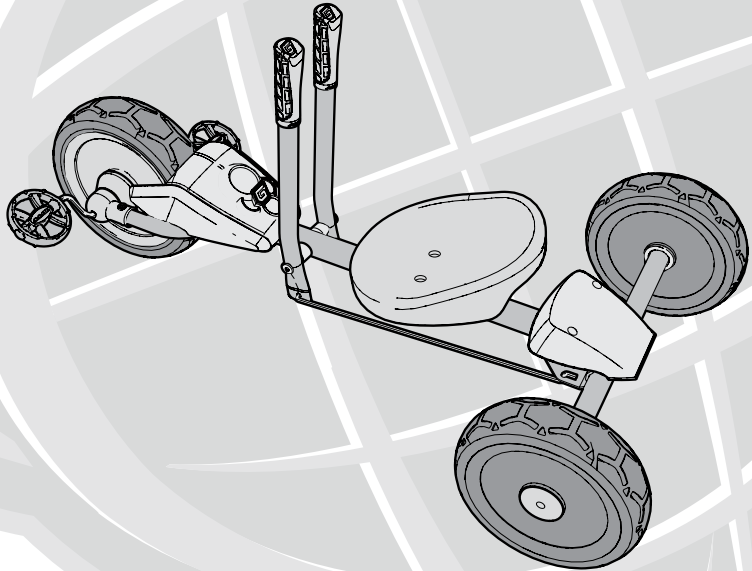




# HUFFY GREEN MACHINE

## MINI Owner's Manual



**This manual contains important safety, assembly, operation and maintenance information.**

**Please read and fully understand this manual before operation.**  
Save this manual for future reference.



**See back page for Customer Service Information**  
**Consulte el reverso para Servicio de Información al Cliente**  
**Voir pages verso pour des renseignements le service à la Clientèle**

## **Your Green Machine**

- Owner's Model Identification Record..... 3
- Warning and Safety Information ..... 4-5
- Assembly Notes - Tools Needed..... 6
- Operating Your Green Machine ..... 7

## **Model Assembly**

- Parts Assembly List ..... 8
- Assemble the Fork and Steering Arms ..... 9
- Assemble Front Cowling..... 10
- Attaching Steering Linkage..... 11
- Assemble Rear Axle and Steering Linkage ..... 12
- Assemble the Rear Wheels ..... 13
- Installing the Seat ..... 14
- Installing Rear Axle Cover ..... 15

## **Maintenance and Service**

- Repair and Service ..... 16
- Torque Chart..... 17

## **Warranty**

- Corporation Limited Warranty..... 18

## Owner's Model Identification Record

**NOTE:** This information is only available with model itself. It is not available from Huffy.

Model number is on the packaging and instruction manual.

Write the model number below to keep it for future reference.

If the model is stolen, give this number and a description of the model to the police. This will help them find the model.

**Model Number:**

---


**Purchase Date:**

---

**Model Name:**

## Warning and Safety Information

### PLEASE READ AND FULLY UNDERSTAND THIS OWNERS MANUAL BEFORE OPERATING THE PRODUCT

 This symbol is important. See the word “**CAUTION**” or “**WARNING**” which follows it. The word “**CAUTION**” is before mechanical instructions. If you do not obey these instructions, mechanical damage or failure of a part of the product can occur. The word “**WARNING**” is before personal safety instructions. If you do not obey these instructions, injury to the rider or to others can occur.

All wheeled vehicles will provide safe, enjoyable transportation and recreation when used and maintained properly. Like bicycling, skateboarding, and in-line skating, riding can be dangerous even under the best of circumstances. We do not want you to get hurt. Please follow all safety rules and operating instructions.

This toy should be used with caution since skill is required to avoid falls or collisions causing injury to the user or third parties.

### **WARNING - TO AVOID SERIOUS INJURY:**

- CHOKING HAZARD. Small parts. Not for children under 3 years.
- Adult assembly is required.
- Continuous adult supervision is required.
- The brake may be hot after continuous use. Do not touch after braking.
- Ensure rider can reach the pedals through full range of motion.
- Always wear a CPSC approved helmet while riding, with the chinstrap securely fastened.
- Always wear shoes when riding.
- Ride on smooth paved surfaces. Do not ride on streets or roadways.
- Always comply with local laws and regulations.
- Never use near motor vehicles.
- Do not ride on hills, steeply sloped areas, on or near steps, near swimming pools, or in alleys.
- Do not ride the product at dusk, at night or at times of limited visibility.
- Do not ride off road, on grass or wet surfaces.
- Do not ride the product over curbs or bumps that can damage the steering mechanism.
- Do not wear headphones or anything else that would impair your ability to hear or see.
- Do not jump or ramp product.
- Do not tow the product.
- Do not pull any objects with the product.
- Do not push the product.
- Never ride with more than one person. Maximum weight is 50 lbs (23Kg).
- Excessive weight may cause a hazardous or unstable condition.

## Warning and Safety Information - continued

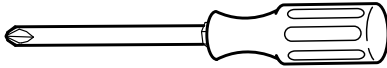
- Understand all operating procedures before riding.
- Do not add a motor to the product.
- Do not modify the product.
- Before each ride check all screws, fasteners and brakes; re-tighten any that are loose. Replace any fasteners that are damaged.
- Handlebar hand grip or tube end plugs should be replaced if damaged as bare tubes have been known to cause injury. All products with capped handlebar ends should be checked regularly to ensure that adequate protection for the ends of the handlebars are in place.
- Replacement forks must have the same rake and tube inner diameter as the original product.
- Know your limits. Be familiar with your abilities. Use common sense.
- Replace worn or broken parts immediately.
- If anything does not operate properly, discontinue use.

**IF YOU HAVE ANY QUESTIONS REGARDING THE OPERATION OF THIS  
PRODUCT, PLEASE REFER TO THIS OWNERS MANUAL OR CALL  
CONSUMER SERVICE**

## Assembly Notes

The instructions in this manual refer to the right and left side of the product, these are defined from the rider position. Do not discard any parts until the unit is completely assembled.

## Required Tools



**Phillips Screwdriver**



**Metric Allen Wrench (supplied)**

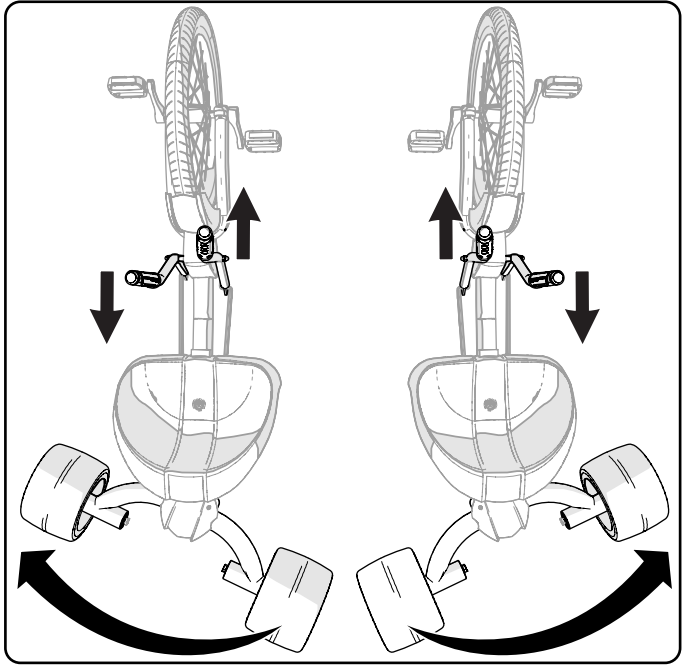


**Torque Wrench (recommended)**

## Steering your Green Machine

### Steering Function:

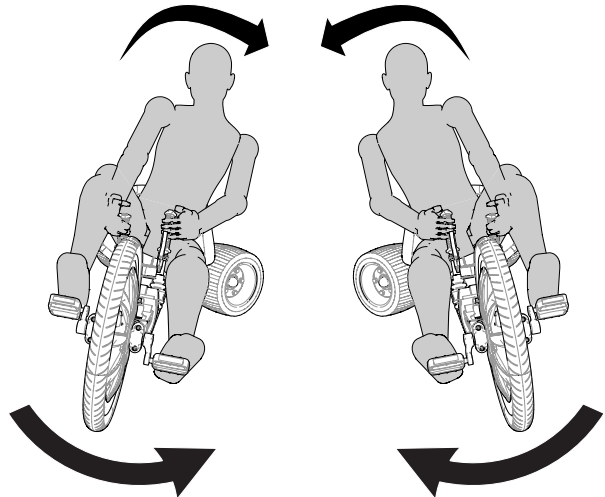
- Pulling back on the left lever, and pushing forward on the right lever will turn the product towards the left.
- Pulling back on the right lever, and pushing forward on the left lever will turn the product towards the right.
- Steering this product takes some practice. Ensure the rider can properly steer the product. Practice in an open area.



## Leaning into a Turn



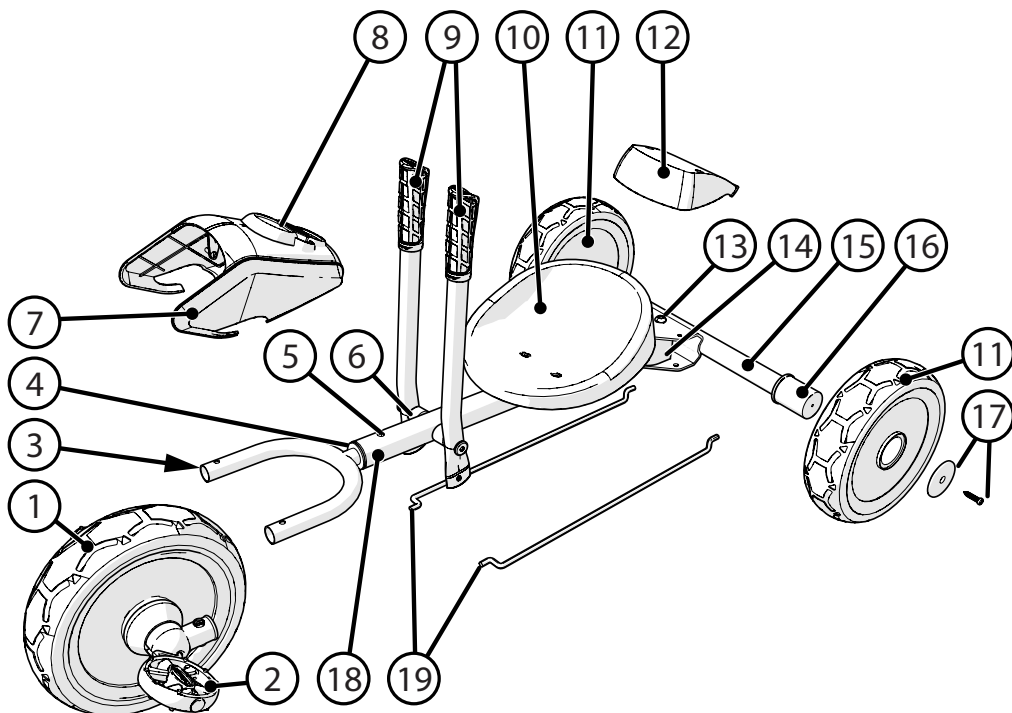
**WARNING:** Failure to lean in the direction of the turn as shown can result in the unit rolling over.



Lean **INTO** a  
**LEFT** Turn

Lean **INTO** a  
**RIGHT** Turn

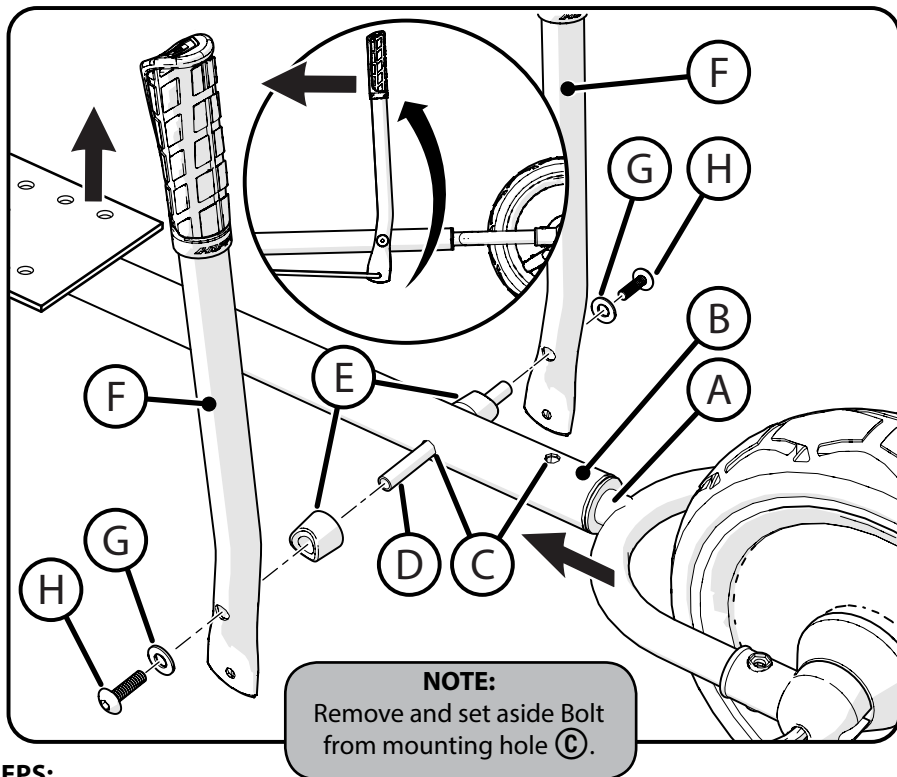
# Parts Assembly



#	Description	#	Description
1	Front Wheel Assembly	11	Rear Wheels (x2)
2	Pedal Set	12	Rear Axle Cover
3	Front Fork	13	Axle Pivot Bolt and Stop
4	Fork/Frame Bushing	14	Axle Pivot Support
5	Fork Mounting Hardware	15	Rear Axle
6	Steering Handlebar Hardware	16	Axle Bushing (x2)
7	Front Cowling	17	Axle Cap and Screw (x2)
8	Cowling Badge	18	Frame Tube
9	Steering Arms	19	Left and Right Steering Linkage
10	Seat and Hardware		



## Assemble the Fork and Steering Arms



### STEPS:

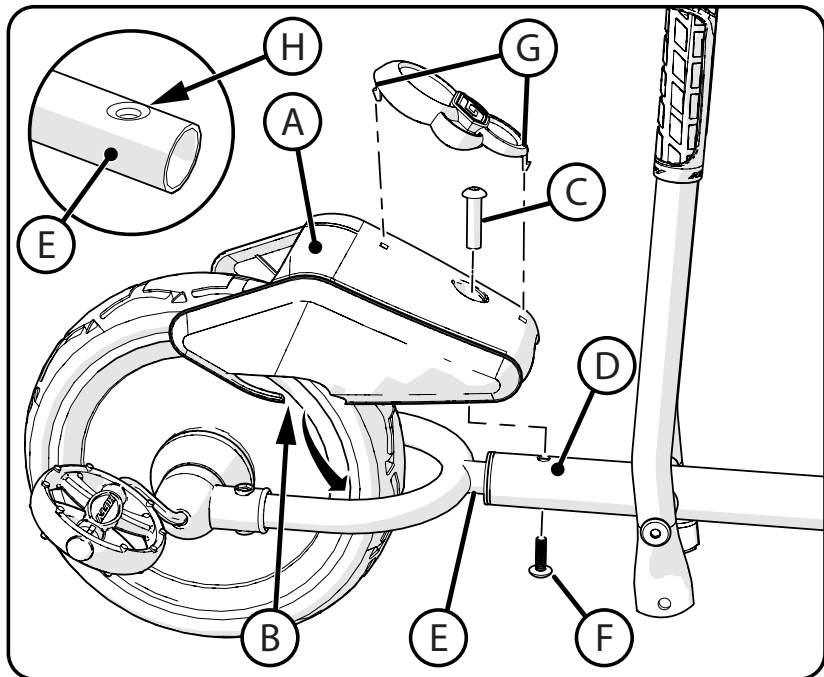
**NOTE:** Make sure Seat Bracket is pointing **UP** before starting.

1. Insert Fork Tube ① fully into the Frame Tube ② so that both Mount Holes ③ line up.
2. Insert Pivot Shaft ④ through Frame. Place Bushings ⑤ on each side of Pivot Shaft as shown.
3. Hold one Steering Arm ⑥ so that it is curved BACKWARDS and place on Pivot Shaft ④.
4. Install Washer ⑦ and Screw ⑧.
5. On opposite side, place Steering Arm ⑥ against Bushing ⑤, making sure Steering Arm is curved BACKWARDS.
6. Install second Washer ⑦ and Screw ⑧.
7. Tighten both Screws ⑧ securely with two allen wrenches. - Make sure Steering arms move easily back and forth.

See Torque Chart for recommended torque.

Attach Steering Linkage >>

## Assemble the Front Cowling



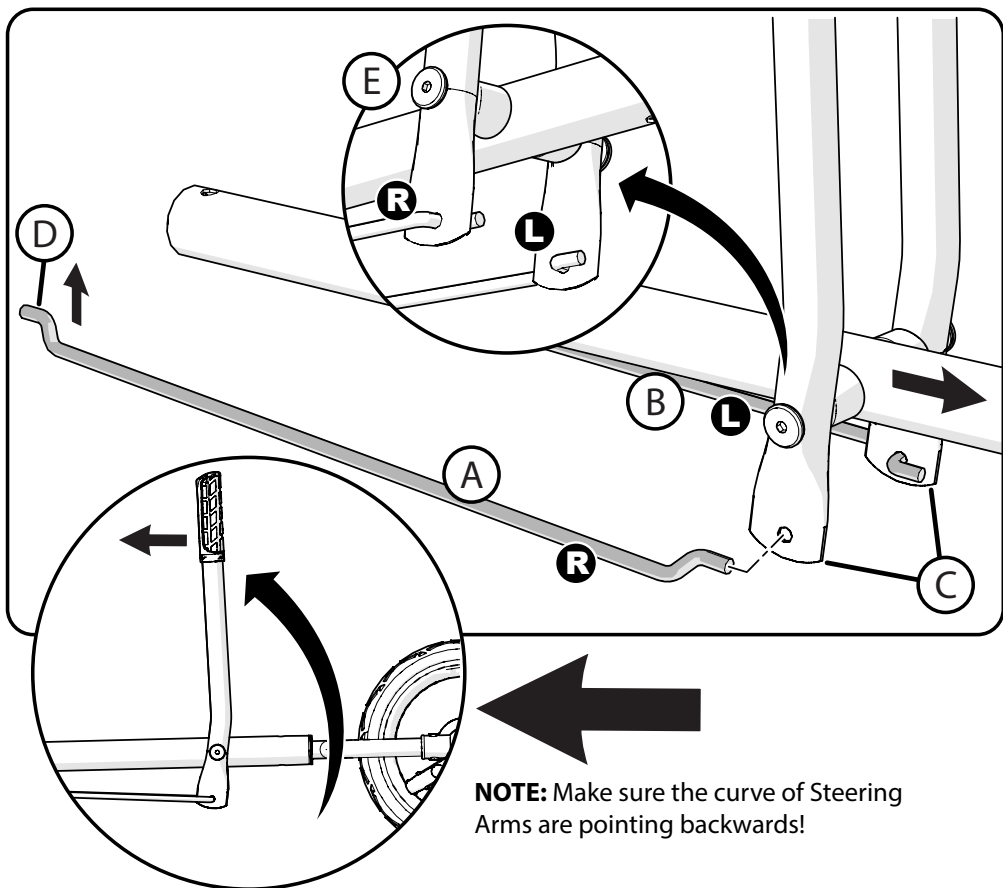
**TIP:** Rotate Wheel/Fork assembly over so that mounting hole Dimple (H) is on TOP.

**NOTE:** If needed, loosen Steering Arm screws during assembly, then retighten. **See Torque Chart for recommended torque.**

1. Attach the Cowling (A) by sliding it down and back on the Fork so that the Cutouts (B) fit around the fork legs.
2. Insert SHORT Shoulder Screw (C) down through Cowling, Frame (D) and fully inserted Fork Tube (E).
3. Install Screw (F) from the bottom and tighten securely with two allen wrenches. **See Torque Chart for recommended torque.**
4. Snap both Cowling Badge Tabs (G) into place as shown.

**CAUTION:** Ensure Wheel turns smoothly without rubbing.

## Attaching Steering Linkage - Front

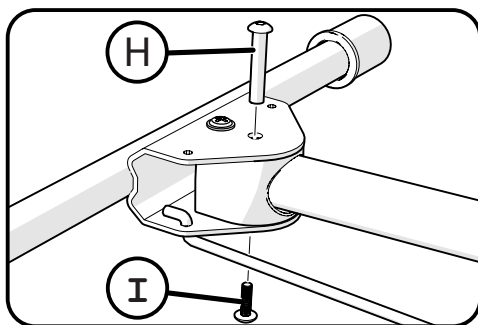
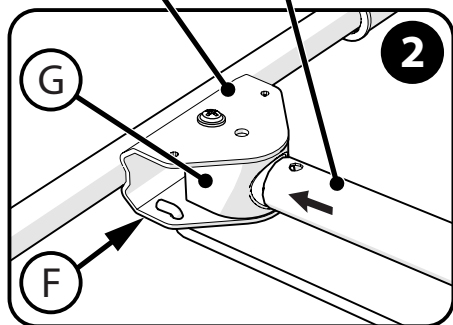
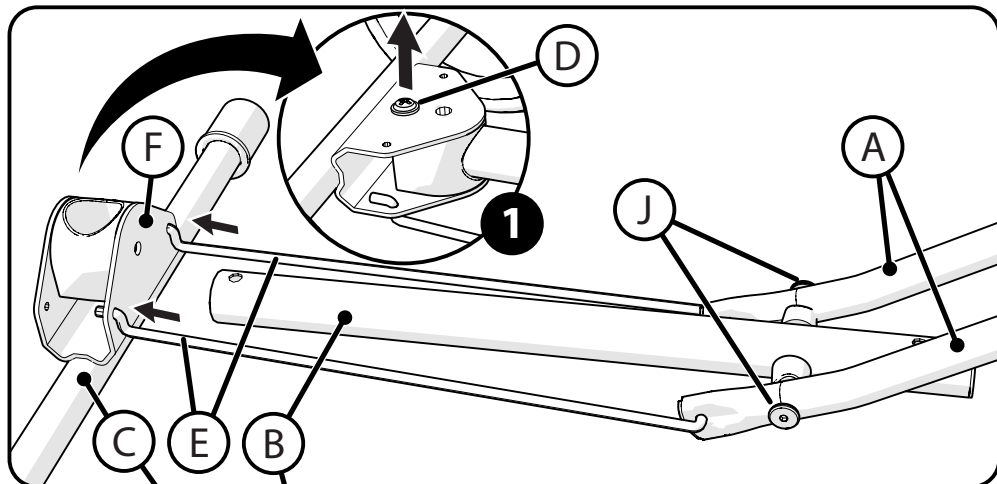


### STEP ONE:

1. Insert the front end of **Right** Steering Linkage (A) into right Steering Arm End (C) as shown. Make sure rear end pointing UP (D).
2. Make sure Steering Linkage is on the OUTSIDE (view (E)) of the Steering Arms as shown.
3. Repeat on left side with **Left** Steering Linkage (B).

Proceed to next step >>

## Assemble the Rear Axle and Steering Linkage

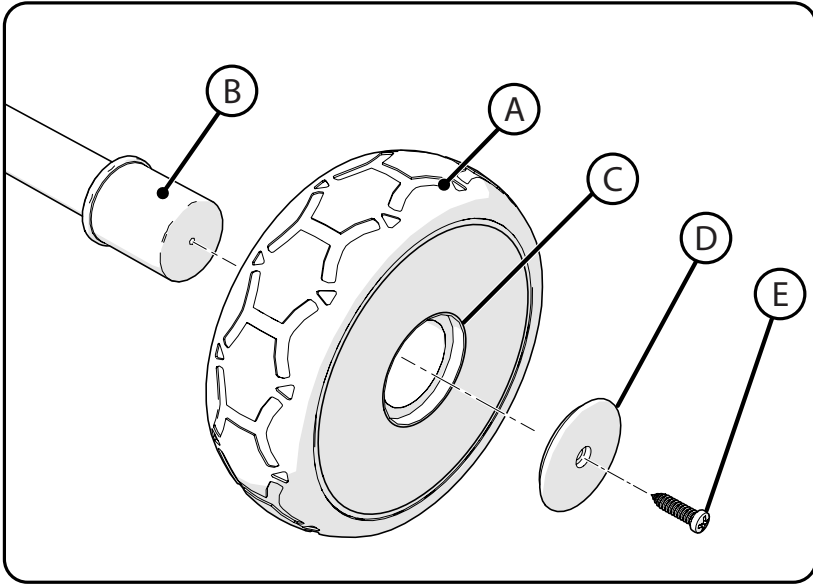


**NOTE:** Shoulder Screw set (H) and (I) are pre-installed. Remove before starting.

1. Fold Steering Arms (A) forward as shown with Frame Tube (B) pointing back.
2. Turn Rear Axle (C) 90° UP as shown. Make sure Steering Stop (D) is on TOP as shown in View (1).
3. Insert each Steering Linkage End (E) into Rear Axle Plate (F) as shown.
4. Rotate Rear Axle 90° down as shown in View (2).
5. Insert Frame Tube (B) into Steering Housing (G) so that mounting holes line up.
6. Insert LONG Shoulder Screw (H) down through Rear Axle Plate and Frame Tube as shown.
7. Install Screw (I) into Shoulder Screw (H). Tighten securely with two allen wrenches.  
**See Torque Chart for recommended torque.**

**NOTE:** Periodically check tightness of Screws (J). **See Torque Chart for recommended torque.**

## Assemble the Rear Wheels

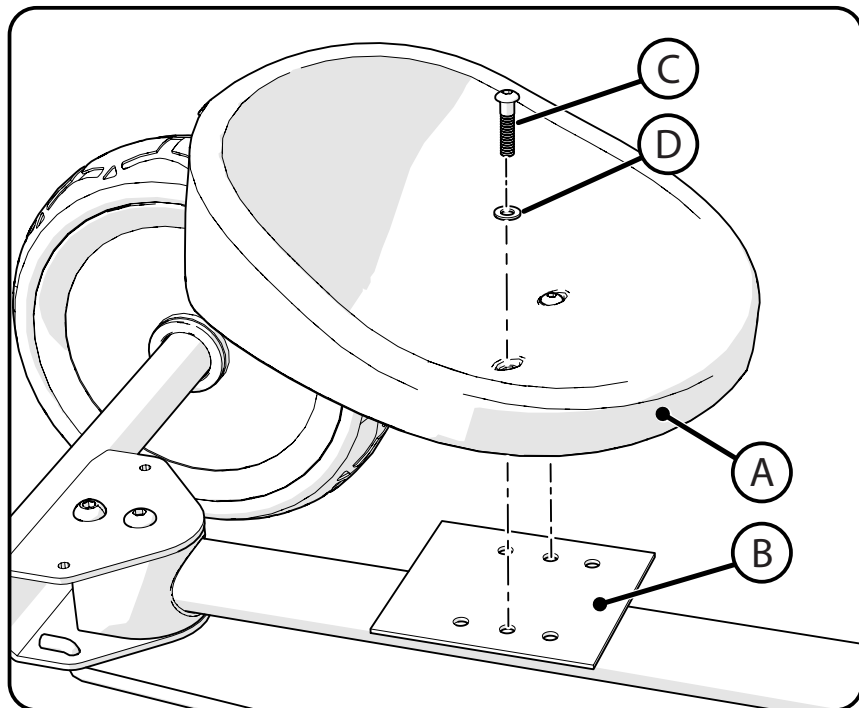


1. Install rear Wheels (A) by placing wheel over Axle Bushings (B) with axle cap recess (C) facing OUTWARDS.
2. Install Axle Cap (D) with Screw (E). Tighten securely. Do not over-tighten.
3. Repeat for opposite side.

### WARNING:

- Ensure Wheels turn smoothly.
- The Wheels can come off if the Screws are not tight or if the screw threads are stripped.

## Installing the Seat



**NOTE:** Remove Screws if they are pre-installed.

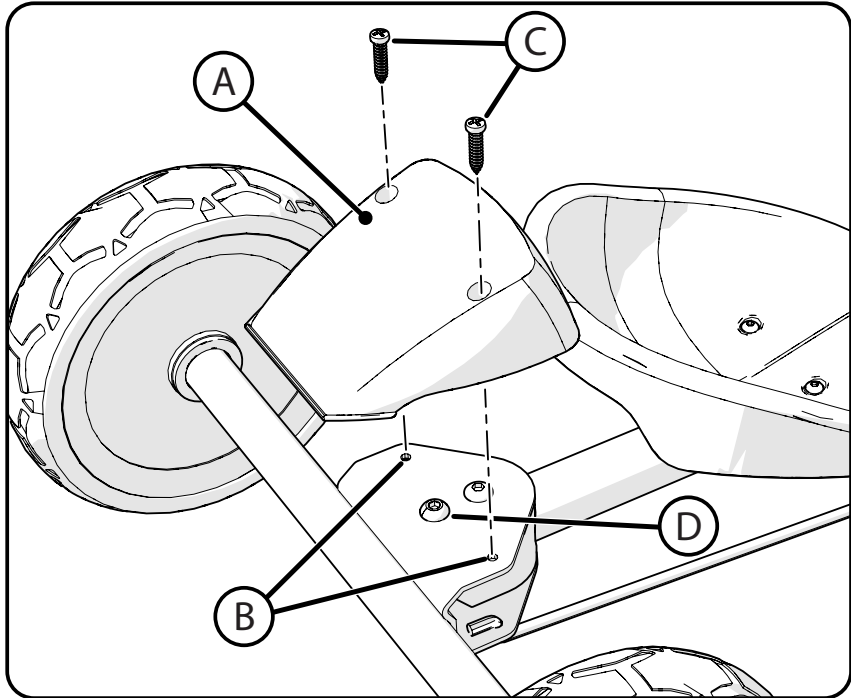
1. Position Seat (A) over Mounting Plate (B) so that the correct holes align for the child's size.
2. Install 2 Screws (C) and Washers (D) through Seat and Mounting Plate.
3. Tighten securely. Do not over-tighten. This can damage the seat.



**WARNING:**

- Adjust Seat so that child can easily reach pedals while pedaling.

## Installing Rear Axle Cover



**IMPORTANT:** Make sure Stop Screw (D) is fully tightened before starting.

**NOTE:** Remove Screws if they are pre-installed.

1. Position Axle Cover (A) over Axle Plate (B) so that the holes align.
2. Install 2 Screws (C) through Axle Cover and Axle Plate.
3. Tighten securely. Do not over-tighten. This can damage the Cover.

 **WARNING:**

- Adjust Seat so that child can easily reach pedals while pedaling.



### **WARNING:**

- Inspect the model frequently. Failure to inspect the model and to make repairs or adjustments, as necessary, can result in injury to the rider or to others. Make sure all parts are correctly assembled and adjusted as written in this manual and any “Special Instructions”.
- Immediately replace any damaged, missing, or badly worn parts with genuine replacement parts.
- Make sure all fasteners are correctly tightened as written in this manual and any “Special Instructions”. Parts that are not tight enough can be lost or operate poorly. Over tightened parts can be damaged. Make sure any replacement fasteners are the correct size and type.

**NOTE:** Have a bike service shop make any repairs or adjustments for which you do not have the correct tools or if the instructions in this manual or any “Special Instructions” are not sufficient for you.

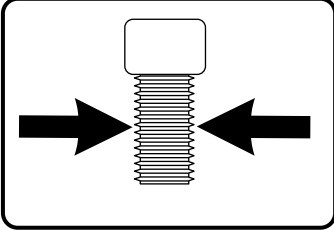


# Torque Chart

## Recommended Torque:

Use of a torque wrench is recommended. Recommended torque for each fastener is listed below. In addition to tightening to the recommended torque, please ensure the parts of the product are sufficiently tightened by performing the functional tests (in the component assembly sections of the owner's manual) on each component as it is tightened.

**NOTE:** Please check that all fasteners on the product are torqued according to the table below:

Recommended Torque for clean, dry threads:		How to Measure:
Fastener Size	Torque (ft-lb / N•m)	Screw or bolt size is determined by the width at the THREADS as shown.
.157 in (4 mm)	3.1 ft-lbs (4.2 N•m)	
.196 in (5 mm)	5 ft-lbs (6.8 N•m)	
.236 in (6 mm)	7 ft-lb (9.5 N•m)	
.275 in (7 mm)	12 ft-lbs (16.3 N•m)	
.314 in (8 mm)	17 ft-lbs (23 N•m)	
.393 in (10 mm)	33 ft-lbs (44.7 N•m)	

# Limited Warranty

## General:

- Part or model specifications are subject to change without notice.
- This Limited Warranty is the only warranty for this product. There are no other expressed or implied warranties.
- This Limited Warranty extends only to the original consumer and is not transferable to anyone else.
- Warranty registration is not required.
- The only uses for this product are described in this manual.

**What does this Limited Warranty cover?** This Limited Warranty covers all parts of the product except those indicated below as not warranted.

## What must you do to keep the Limited Warranty in effect?

This Limited Warranty is effective only if:

- Product is completely and correctly assembled.
- Product is used under normal conditions for its intended purpose (see the following section for excluded activities).
- Product receives all necessary maintenance and adjustments.
- Product is used for general transportation and recreational use only.

## What is not covered by this Limited Warranty?

- This Limited Warranty does not cover normal wear and tear, normal maintenance items, or any damage, failure, or loss that is caused by improper assembly, maintenance, adjustment, storage, or use of the Product.

## This Limited Warranty will be void if the unit is ever:

- Used in any competitive sport
- Used for stunt riding, jumping, aerobatics or similar activity
- Modified in any way
- Modified with the addition of a motor
- Ridden by more than one person at a time
- Rented, sold, or given away
- Used in a manner contrary to the instructions and warnings in this Owner's Manual

indirectly from use of this product. Some states do not allow the exclusion or limitation of incidental or consequential damages, so the above limitation may not apply to you.

**What rights do you have?** This warranty gives you specific legal rights. You may also have other rights which vary from state to state.

**What will Huffy do?** Huffy will replace, without charge to you, the component found to be defective by Huffy.

## CONTACTING CUSTOMER SERVICE:

### How do you report a problem with this product or submit a warranty claim?

- Contact Customer Service - See included list for Customer Contact information or visit [www.huffybikes.com/contact](http://www.huffybikes.com/contact).

## IN AUSTRALIA:

- Warranty claims can be submitted to; Hunter Products Pty Ltd - PH: 1800 224 094  
Email: [enquiries@hunterproducts.com.au](mailto:enquiries@hunterproducts.com.au) - Level 2, 424 Warrigal Road, Moorabbin, Victoria 3189 Australia.

The following text is incorporated into this Limited Warranty if this product was purchased in Australia (but it is not incorporated if such product was purchased in New Zealand):

- Our goods come with guarantees that cannot be excluded under the Australian Consumer Law. You are entitled to a replacement or refund for a major failure and for compensation for any other reasonably foreseeable loss or damage. You are also entitled to have the goods repaired or replaced if the goods fail to be of acceptable quality and the failure does not amount to a major failure.

## How long does this Limited Warranty Last?

- Warranty is from date of purchase.
- Frame and all components are warranted for six (6) months.
- Resin wheels are not warranted.



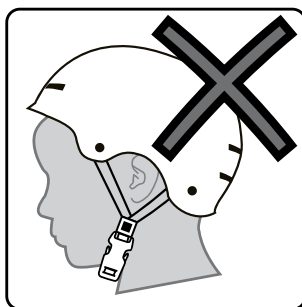
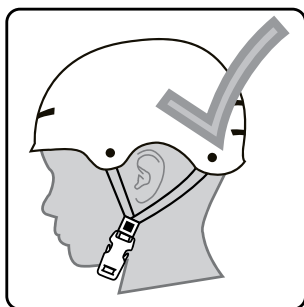
# WARNING / ADVERTENCIA /

## AVERTISSEMENT :

**ALWAYS WEAR YOUR HELMET  
WHEN RIDING THIS PRODUCT!**

**USE SIEMPRE EL CASCO AL MONTAR  
ESTE PRODUCTO!**

**TOUJOURS PORTER VOTRE CASQUE LORS  
DE L'UTILISATION DE CE PRODUIT !**



- Helmet should sit level on your head and low on your forehead
- Adjust the strap sliders below the ear on both sides.
- Buckle the chin strap. Adjust strap until it is snug.
- No more than two fingers should fit between the strap and your chin.
- A proper fitting helmet should be comfortable and not rock forward/backward or side to side.
- Always read the user manual that comes with your helmet to make sure it is fitted and attached properly to the wearer's head according to the fitting instructions described in the user manual.
- El nivel del casco se debe ajustar sobre su cabeza y cubrir su frente hasta abajo.
- Ajuste la correa controles deslizantes por debajo de la oreja en ambos lados.
- Hebille el barboquejo. Ajustar la tira hasta que quede bien ajustado.
- Solamente deben caber dos dedos entre la correa y la barbilla.
- El uso de un casco a su medida debe de ser cómodo y no estar moviéndose hacia delante o hacia atrás o de lado a lado.
- Siempre lea el manual del usuario que viene con su casco para asegurarse de que se encuentra instalado y conectado correctamente a la cabeza de acuerdo con el manual de montaje se describe en el manual de usuario.
- Casque doit reposer sur la tête en étant rabaissé sur le front
- Régler la glissière de courroie au-dessous de l'oreille des deux côtés.
- Boucle de la jugulaire. Régler l'attache jusqu'à ce qu'elle soit serrée.
- L'espace entre le menton et la courroie ne doit pas être supérieur à deux doigts.
- Un casque adapté doit être confortable et ne pas se déplacer vers l'arrière ou les côtés.
- Toujours lire le manuel d'utilisation fourni avec votre casque pour s'assurer qu'il est monté et fixé correctement à la tête du porteur selon les instructions de montage du manuel de l'utilisateur.



[ In the US ]  
**PLEASE - BEFORE RETURNING TO STORE,  
CONTACT HUFFY CUSTOMER SERVICE. WE  
ARE GLAD TO ASSIST YOU WITH ANY PARTS  
OR ASSEMBLY PROBLEMS YOU MIGHT  
HAVE!**

For Fast Customer Service, go to:

**<http://www.huffybikes.com/contact>**

To Order Parts (US only), go to:

**<http://www.huffybikes.com/parts>**

**OR TEL: 1 800 872 2453 (US only)**

For email, go to **<http://www.huffybikes.com/contact>**

[ CANADA ]

**VEUILLEZ NOTER : AVANT DE  
RETOURNER AU MAGASIN,  
COMMUNIQUEZ AVEC LE SERVICE  
À LA CLIENTÈLE DE HUFFY. NOUS  
VOUS AIDERONS VOLONTIERS AVEC  
TOUT PROBLÈME CONCERNANT LES  
PIÈCES OU LE MONTAGE!**

Pour un Service à la clientèle rapide, allez sur le  
site :

**<http://www.huffybikes.com/contact>**

To Order Parts (CANADA only), go to:

**<http://www.huffybikes.com/parts>**

**OU appelez le 1 800 872 2453  
(CANADA only)**

Pour communiquer par courriel  
**[huffycanada@huffy.com](mailto:huffycanada@huffy.com)**

[ MÉXICO ]

**ANTES DE DEVOLVER EL  
PRODUCTO A LA TIENDA,  
COMUNÍQUESE CON SERVICIO  
AL CLIENTE DE HUFFY. NOS  
COMPLACE AYUDARLO CON  
CUALQUIER PARTE O PROBLEMA  
DE ENSAMBLADO QUE PUDIERA  
TENER.**

Para obtener Servicio al cliente rápido, visite:

**<http://www.huffybikes.com/>**

**● LLAME AL TEL: 01800 1483 391  
(Mexico only)**

Para comunicarse por correo electrónico:  
**[servicio@huffymex.com](mailto:servicio@huffymex.com)**

---

Check **<http://www.huffybikes.com/home/globalcontact>**  
for the current contact information

---

**<http://www.huffybikes.com/home/globalcontact>**  
para obtener la información de contacto actual

---

Vérifier **<http://www.huffybikes.com/home/globalcontact>**  
pour les informations de contact actuelles