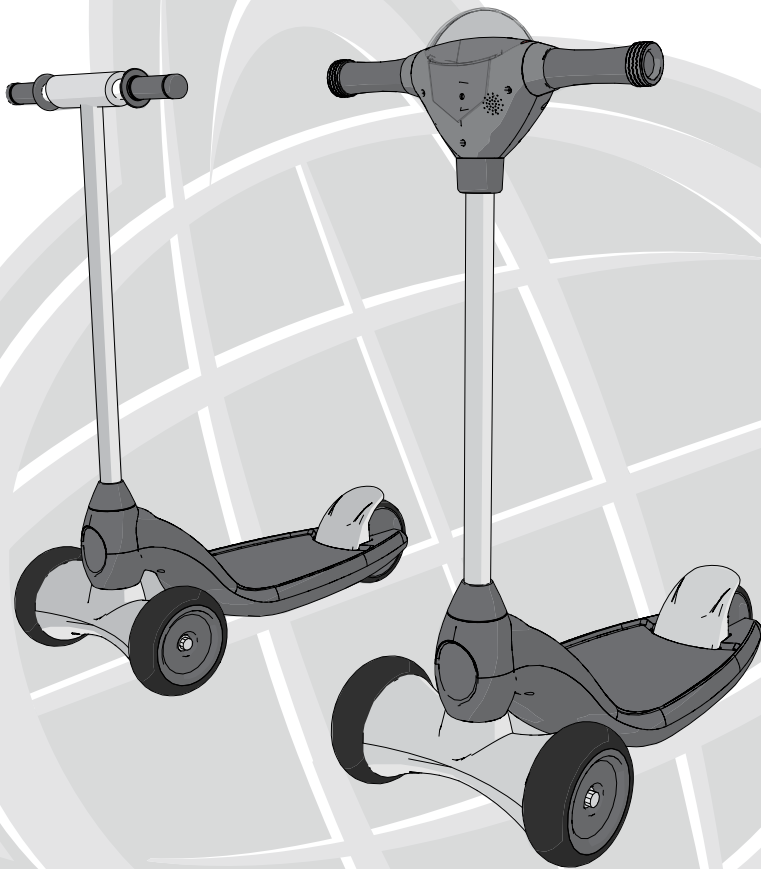


Owner's Manual

Preschool Scooter



**THIS MANUAL CONTAINS IMPORTANT SAFETY, ASSEMBLY,
OPERATION AND MAINTENANCE INFORMATION.**

**PLEASE READ AND FULLY UNDERSTAND THIS MANUAL
BEFORE OPERATION.**

SAVE THIS MANUAL FOR FUTURE REFERENCE.

Date Code Label
Here

HUFFY

Manual Index

• Safety Information	2/3
• Operation	3
• Parts View.....	4/5
• Assembly	6/7
• Lights and Sounds Setup and Operation (if equipped).....	8/9
• Maintenance	10
• Warranty	11

Scooter Safety Information

Scooters, like all wheeled vehicles, will provide safe, enjoyable transportation and recreation when used and maintained properly. Like bicycling, skateboarding, and in-line skating, riding a scooter can be dangerous even under the best of circumstances. We do not want you to get hurt. Please follow these safety rules.



This symbol is important. It is the WARNING symbol. The warning symbol precedes safety instructions. Make sure the child understands these instructions. Failure to follow these instructions may result in injury to the rider or to others, or damage to the product.



WARNING TO AVOID SERIOUS INJURY:

- Adult assembly is required.
- Adults must assist children in the initial adjustment procedures to unfold the scooter (if model is designed to fold), adjust handlebar and steering to height, and finally to fold the scooter.
- Adult supervision is required.
- This product should only be used by persons 3+ years. Maximum weight is 60 lbs (27kgs).
- Do not allow a child to ride without an approved helmet, with the chinstrap securely fastened.
- Ensure the child always wears safety equipment such as helmet, knee pads, elbow pads and shoes.
- Do not allow a child to ride wearing anything that obstructs visibility or hearing.
- Do not allow a child to ride the product at dusk, at night or at times of limited visibility.
- Do not allow a child to ride on streets, roadways or alleys.
- Do not allow a child to ride on or near sloped driveways, hills, ditches, swimming pool areas, water, sand, gravel, dirt, leaves, or any other hazardous areas.
- Do not allow a child to ride near steps.
- Ensure the child keeps both hands on the handlebar while riding.
- For use on smooth paved surfaces only, away from motor vehicles.
- Avoid sharp bumps, drainage grates and sudden surface changes. Unit may suddenly stop.
- Never ride with more than one person.
- Watch out for pedestrians. Avoid excessive speed.

Scooter Safety Information - continued

- Wet weather impairs traction and visibility.
- Obey all local traffic and scooter riding laws and regulations.
- Check the product before each ride to determine if any potentially hazardous parts or conditions have developed.
- Replace worn or broken parts immediately.
- Handlebar hand grip or tube end plugs should be replaced if damaged as bare tubes have been known to cause injury. All products with capped handlebar ends should be checked regularly to ensure that adequate protection for the ends of the handlebars are in place.
- Replacement forks must have the same rake and tube inner diameter as the original product.
- Not suitable for children under 3 years as foam pieces may break off and cause a choking hazard.
- Ensure any accessories supplied are secure to the product and do not interfere with operation of the unit.
- Use with caution, since skill is required to avoid falls or collisions causing injury to the user or third parties.
- Protective equipment should be worn.
- Not to be used in traffic.

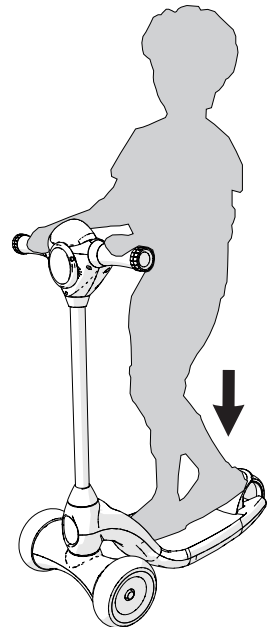
If you have any questions regarding the operation of this product, please refer to this owners manual or contact customer service.

Operating The Scooter and Braking

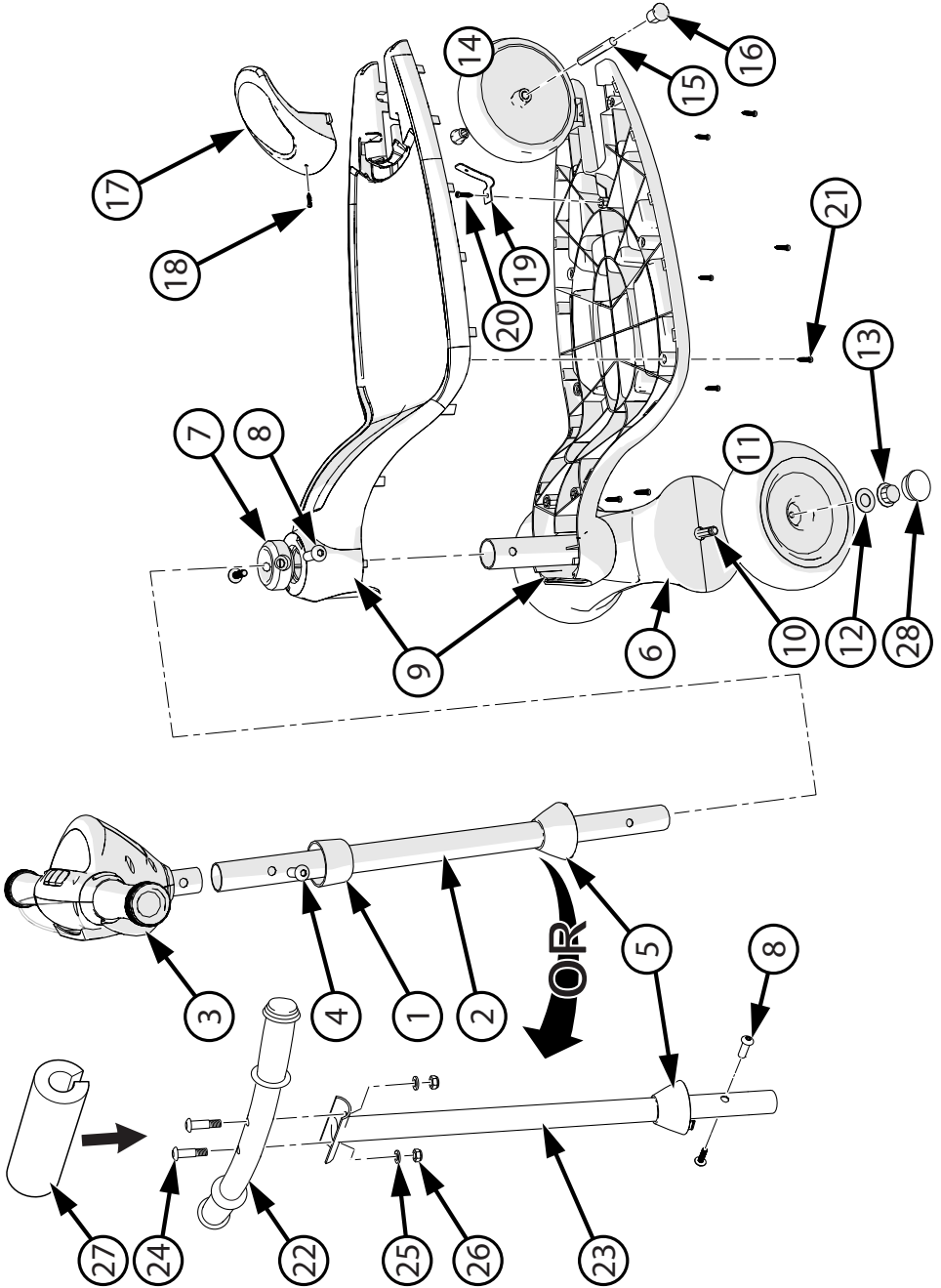
The scooter is operated by placing one foot on the deck and pushing with the other foot. On some models the rear fender is hinged for use as a brake. On other models where the rear fender is not hinged, the foot used to propel the scooter is also used to stop the scooter. This is also the secondary brake method for models with hinged fender. Steering is accomplished by turning the handlebar.

WARNING:

- Always wear shoes when riding the scooter.
- Brake will get hot from continuous use. Do not touch after braking.



Parts View

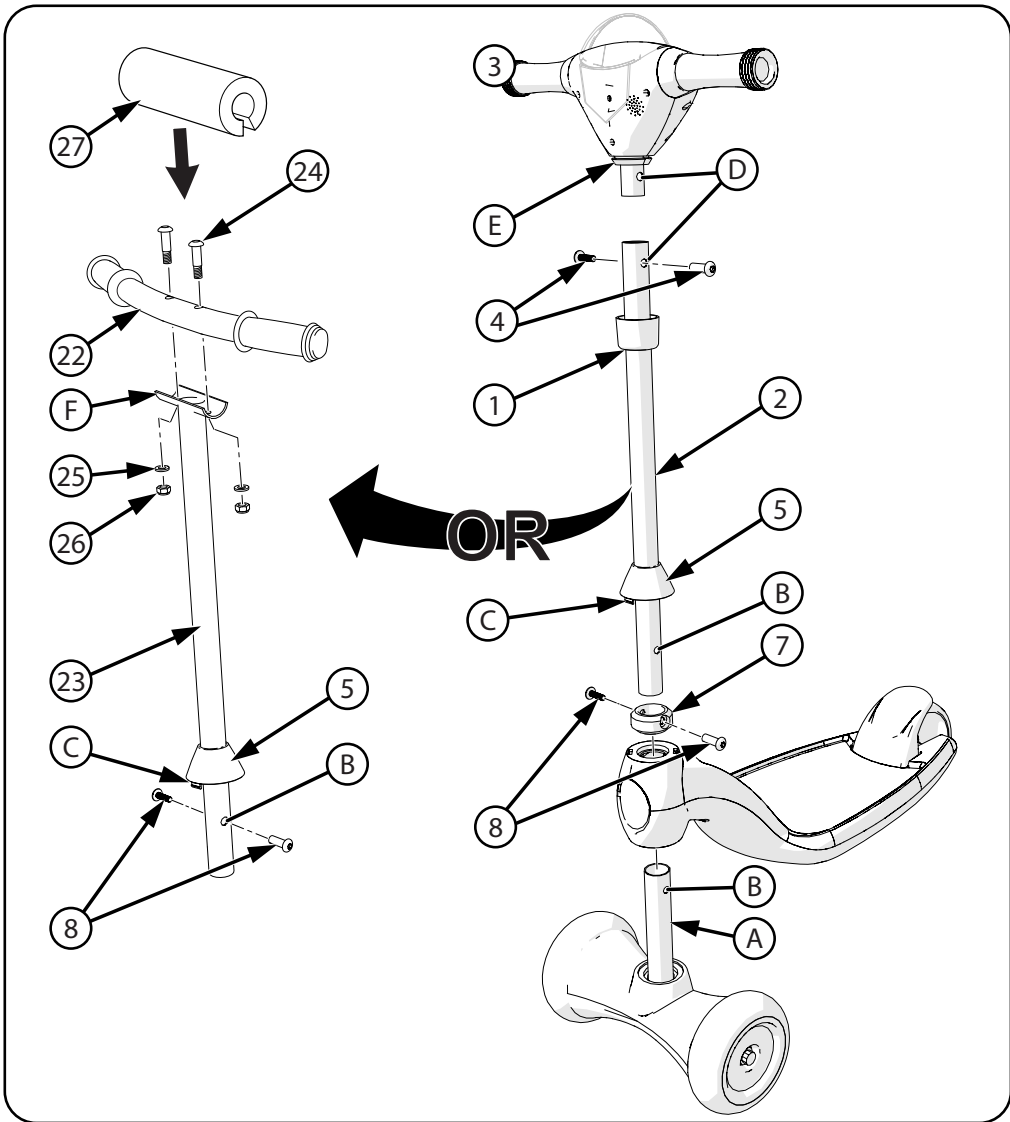


Components

Index	Description	Index	Description
1	Locking Cap - Upper	22	Handlebar
2	Steering Tube	23	Handlebar Tube
3	Lights and Sounds Unit	24	Screws (x2)
4	Captive Screw Set	25	Washers (x2)
5	Locking Cap - Lower	26	Nuts (x2)
6	Steering Axle	27	Handlebar Pad
7	Retaining Collar	28	Cap (x2)
8	Captive Screw Set		
9	Deck Assembly		
10	Axle		
11	Front Wheel (x2)		
12	Washer (x2)		
13	Cap Nut (x2)		
14	Rear Wheel		
15	Axle		
16	Axle Cap (x2)		
17	Fender / Brake		
18	Screw		
19	Fender Bracket		
20	Screw		
21	Screws (8)		

Scooter Assembly

Assembly



<< See Image Opposite Page

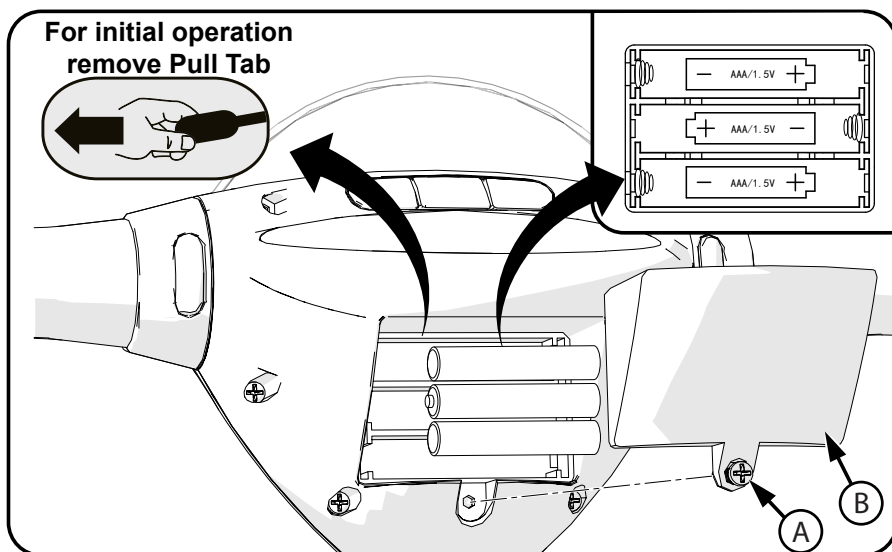
Lights and Sounds Unit (if equipped):

1. Slide lower Locking Cap (5) UP onto Steering Tube (2) as shown.
2. (If unassembled) Slide Axle Shaft (A) up into Scooter Deck as shown.
3. Slide Shoulder Collar (7) down onto Axle Shaft (A).
4. Insert Steering Tube (2) into Axle Shaft (A).
5. **Make sure the Axle Shaft holes line up with the Steering Tube holes (B).**
6. Install Screw Set (8) through Shoulder Collar (7) and Steering Tube (2) and tighten securely.
7. Slide lower Locking Cap (5) DOWN so that Tabs (C) lock Cap into position.
8. Slide upper Locking Cap (1) DOWN onto Steering Tube (2) as shown.
9. Ensure Lights and Sounds unit (3) is facing forward (Control Buttons will be facing rider) and insert into Steering Tube (2).
10. **Make sure the Lights and Sounds unit holes line up with the Steering tube holes (D).**
11. Install Screw Set (4) through Steering Tube (2) and tighten securely.
12. Slide upper Locking Cap (1) UP so that tabs lock Cap into position (E).

Handlebar Installation (if equipped):

1. Place Handlebar (22) in Handlebar Tube Bracket (F) as shown.
2. Install Screws (24) through Handlebar and Bracket.
3. Install Washers (25) and Nuts (26) onto Screws (24).
4. Tighten securely.
5. Install Handlebar Pad (27) so that it covers the Screws and Bracket.
6. Slide lower Locking Cap (5) UP onto Handlebar Tube (23) as shown.
7. Slide Axle Shaft (A) up into Scooter Deck as shown.
8. Slide Shoulder Collar (7) down onto Axle Shaft (A).
9. Insert Handlebar Tube (23) into Axle Shaft (A).
10. **Make sure the Axle Shaft holes line up with the Handlebar Tube holes (B).**
11. Install Screw Set (8) through Shoulder Collar (7) and Handlebar Tube (23) and tighten securely.
12. Slide lower Locking Cap (5) DOWN so that Tabs (C) lock Cap into position.

Lights and Sounds Unit Setup (if equipped)



For initial operation remove Pull Tab

Battery Replacement:

Batteries: DC 1.5V, AAA (included). The unit requires 3 batteries.

1. Loosen the battery compartment cover Screw (A) to remove the Cover (B).
2. Insert batteries in the orientation shown inside the compartment.
3. Re-install the compartment cover and tighten the screw.

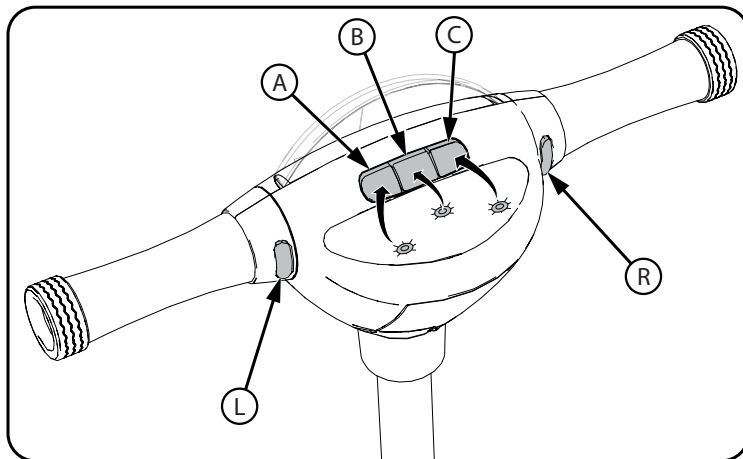
WARNINGS:

- Battery replacement is to be conducted by an adult.
- Dispose of batteries properly. Do not dispose of batteries in fire, batteries may explode or leak. Check local regulations for proper battery disposal.
- Non-rechargeable batteries are not to be recharged.
- Different types of batteries or new and used batteries are not to be mixed.
- Only batteries of the same or equivalent type as recommended are to be used.
- Batteries are to be inserted with the correct polarity.
- Keep the unit from getting wet.
- The battery supply terminals are not to be short-circuited.
- Rechargeable batteries are to be removed from the unit before being charged.
- Rechargeable batteries are only to be charged under adult supervision.

This unit produces flashing lights and light patterns. Although rare, it is possible for children to be susceptible to photosensitive seizures when exposed to certain flashing lights or light patterns. It is important that parents monitor their children while playing with this unit. To reduce exposure to such potential, play in a well-lit area and keep an appropriate distance from the flashing lights.

Parents must assess whether their child's capabilities, development and coordination is appropriate for use of this unit.

Lights and Sounds Unit Operation (if equipped)



The various Lights and sounds are activated by pressing and releasing Buttons **A**, **B**, **C**, **L** and **R**. Specific button combinations will activate special Lights and Sounds sequences.

- **Game Mode #1 Sing-A-Long:** Push and Hold Button (C) for 1 second:
 - To keep the song playing, press the corresponding button when a light flashes.
- **Game Mode #2 - Simon Says:** Push and Hold Button (B) for 1 second:
 - After the Light Sequence shows, repeat using the corresponding buttons.
- **Game Mode #3 - Follow The Leader:** Push and Hold Button (A) for 1 second:
 - When a light shows, press the corresponding button.

Reset Unit: If ANY Button is pushed continuously for more than 10 seconds, a BEEP will play for 1.0 second and the unit will reset.

If there are problems with operation – ensure the batteries are not low and they are properly installed.

To clear all operations: Remove the batteries and re-install.

Maintenance

The scooter does not require maintenance. However, the scooter should be checked periodically for any loose, broken, or worn parts. Tighten any parts that are loose, and replace any worn or broken parts immediately. Periodic cleaning will prolong the useful life of this scooter.

Do not store outside or expose Lights and Sounds unit (if equipped) to water.

Huffy Corporation Limited Warranty

Part or model specifications are subject to change without notice.

This Limited Warranty is the only warranty for this product. There are no express warranties. The only uses for this product are described in this manual. Warranty registration is not required. This limited warranty extends only to the original consumer and is not transferable.

What does this Limited Warranty cover?

This Limited Warranty covers all parts of the product.

What must you do to keep the Limited Warranty in effect?

This Limited Warranty is effective only if:

- the product is completely and correctly assembled;
- the product is used under normal conditions for its intended purpose (see “Warnings” for excluded activities);
- the product receives all necessary maintenance and adjustments.

What is not covered by this Limited Warranty?

This product is designed for recreational use only. This Limited Warranty does not cover normal wear and tear, normal maintenance items, or any damage, failure, or loss that is caused by improper assembly, maintenance, adjustment, storage, or use.

This Limited Warranty is void if the product is ever:

- used for stunt riding, jumping, acrobatics, or similar activity;
- ridden by more than one person at a time, or the weight limit is exceeded;
- used in a manner contrary to the instructions in this manual.

How long does this Limited Warranty Last?

All components are warranted for 6 months from the date of purchase.

What will the Huffy do?

Huffy will replace, without charge to you, any component found to be defective. The original owner must pay all labor and transportation charges associated with the repair or warranty work.

How do you get service?

Contact Huffy Consumer Service.

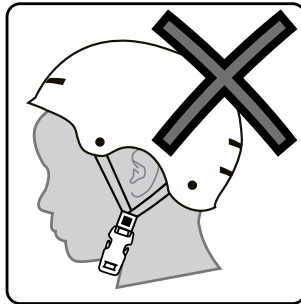
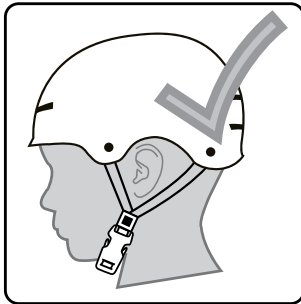
See included list for Customer Contact information.

What rights do you have?

This Limited Warranty gives you specific legal rights. You may also have other rights which vary from state to state.



WARNING: **ALWAYS WEAR YOUR HELMET** **WHEN RIDING THIS PRODUCT!**



- Helmet should sit level on your head and low on your forehead
- Adjust the strap sliders below the ear on both sides.
- Buckle the chin strap. Adjust strap until it is snug.
- No more than two fingers should fit between the strap and your chin.
- A proper fitting helmet should be comfortable and not rock forward/backward or side to side.
- Always read the user manual that comes with your helmet to make sure it is fitted and attached properly to the wearer's head according to the fitting instructions described in the user manual.

Check
www.Huffybikes.com/contact
for the current contact information

HUFFY